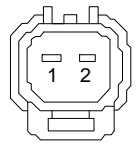


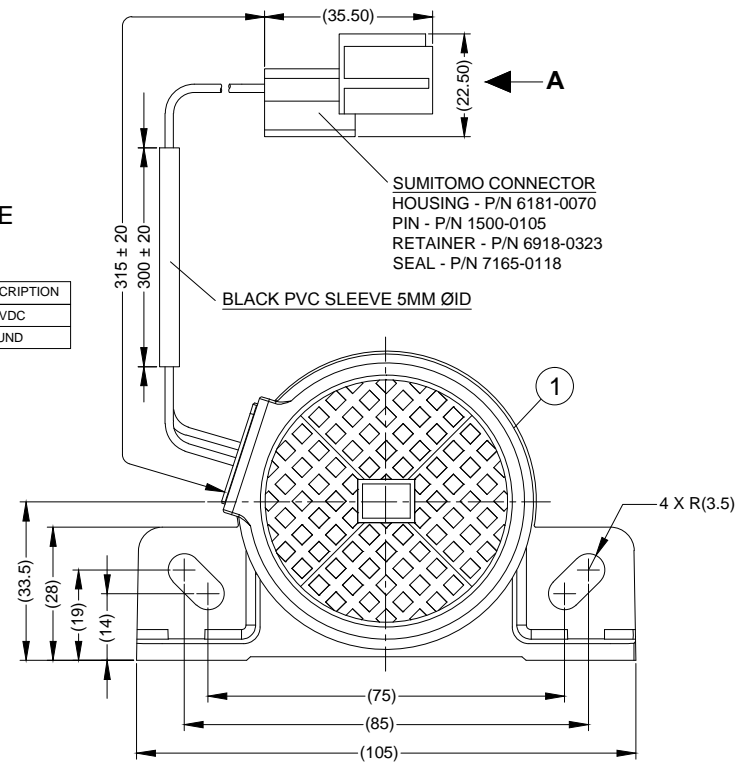
Revision Notes.				
R1 -				
APA: -	Drawn:-	Checked:-	Approved:-	Date: -

**VIEW A**

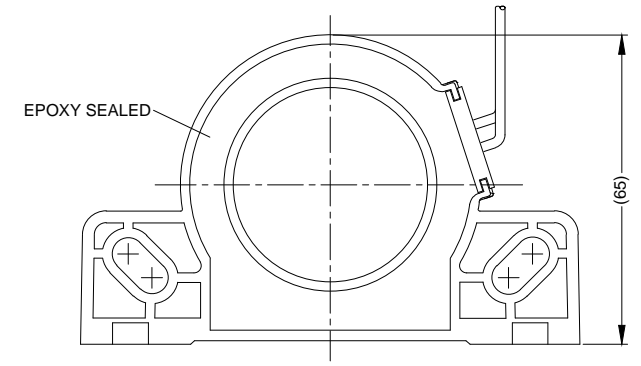
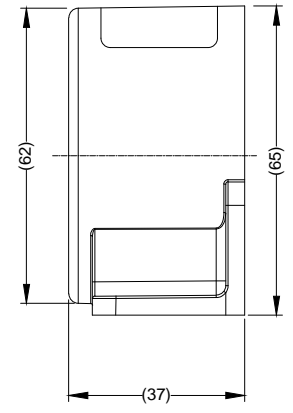


**MATING FACE**

PIN #	WIRE COLOUR	DESCRIPTION
1	RED	12-24VDC
2	BLACK	GROUND



ITEM	STOCK CODE	QTY	DESCRIPTION
1	9235B	1	BBS-97 (SC) ALARM ONLY
2	(TBD)	1	FITTING INSTRUCTIONS (NOT SHOWN)



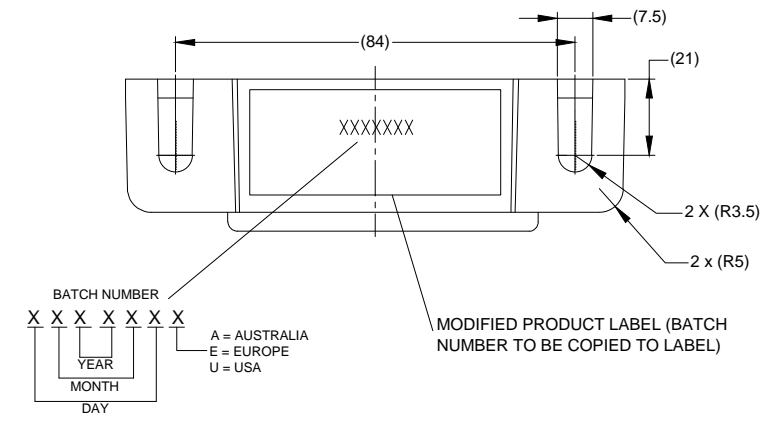
**CHANGES FROM BASE PRODUCT BBS-97 (0935B) TO BBS-97(SC) (4377A)**

- CHANGE:**
1. BLACK PVC SLEEVE ADDED TO CABLE.
  2. SUMITOMO CONNECTOR ADDED.
  3. REMOVE FITTING GUIDE LABEL (LOCATED ON THE END OF POWER WIRES).
  4. MODIFIED PRODUCT LABEL ADDED REF LATEST REVISION OF DRW BE-003197-XX-15 & TEMPLATE BE-003199-XX-15.
  5. REPLACEMENT GIFT BOX LABEL ADDED TO NEW GIFT BOX REF LATEST REVISION OF DRW BE-003198-XX-15 & TEMPLATE BE-003200-XX-15.

**OPERATION:** SAME AS BASE PRODUCT

**SPECIFICATION:**  
 RATED VOLTAGE: 12-24VDC (WORKING VOLTAGE 9-32VDC).  
 RATED CURRENT: 0.2A OR LESS.  
 SOUND PRESSURE: 97±4DECIBELS AT TEST VOLTAGE OF 14 AND 28 VOLTS.  
 INTERMITTENCE: 80±10 CYCLES PER MINUTE AT TEST VOLTAGES 14 AND 28 VOLTS.  
 OPERATING TEMPERATURE: -40° TO +85°.  
 TONE: WHITE SOUND (bbs)  
 ENVIRONMENTAL TEST: SUBJECT TO SAE J994.  
 FINISH: MATT BLACK.  
 MATERIAL: ABS PLASTIC.

**NOTES:**  
 1. REFER TO BASE PRODUCT FOR PRODUCT SPECIFICATION.



**PROPRIETARY NOTICE**  
 THIS DESIGN AND TECHNICAL INFORMATION APPEARING ON THIS DRAWING IS THE PROPERTY OF BRIGADE ELECTRONICS, AND IS DISCLOSED IN CONFIDENCE. IT IS NOT TO BE COPIED, REPRODUCED, REVEALED TO OR EXPROPRIATED BY OTHERS, EITHER IN WHOLE OR IN PART WITHOUT THE EXPRESS WRITTEN CONSENT OF BRIGADE ELECTRONICS.



Assembly PI Approval N.MEETHA	Approved by D.WALLIN	Checked by M.POTTER	Drawn by P.MISSEN
Angle of Projection 	Units mm	Scale N/A	Released 12/08/15
Status RELEASED		BBS-97(SC)	
Part No 4377A		BE-003196-00-15	